



EYE-LCD-4600-LE-700

46" EDGE-LED LCD MONITOR (117 cm)
MIT 700 cd/m² HELBIGKEIT



PRODUCT DESCRIPTION

The EYE-LCD-4600-LE-700 is the latest 46" Edge-LED LCD monitor from eyevis' eyeLCD series. The professional, industrial standard devices provide high brightness, pin-sharp resolution, best image quality, a slim design and low power consumption.

With eyevis' unique optical enhanced treatment, it not only provides clear viewability, but also ensures added durability and strength in almost every ambient light condition.

Thanks to the plain design the displays are the ideal surface for the presentation of your image content.

Application Possibilities:

- Public Information Display
- Digital Signage
- Control Rooms
- Broadcast (-BC version with optional broadcast features)

ADVANTAGES OF THE EYE-LCD-4600-LE-700

Superior Resolution & Image Representation

Full HD 1080p (1920 × 1080)

High Brightness

700 cd/m² for best readability even in difficult ambient light conditions

Ultra-Wide Viewing Angle

178 degree viewing angle horizontally & vertically

IRFM™

Image Retention Free Modulator technology helps prevent image retention

Energy Saving

Low Power consumption thanks to Edge-LED backlight technology.

Wide Compatibility

Extensively tested with a broad variety of analog/digital PC and video modes.

Durable and Professional Design

All metal structure, Sleek & low-key look that makes the content stand out

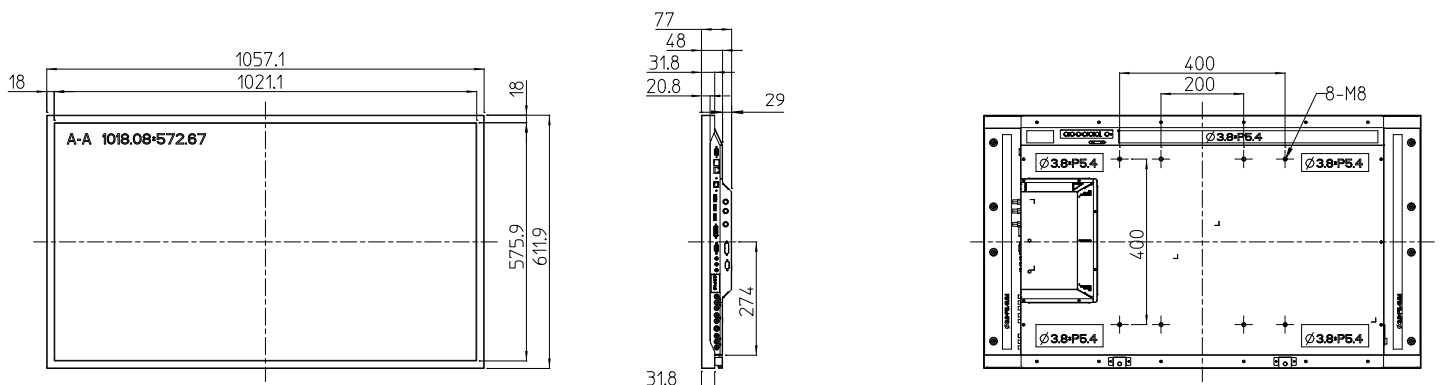
Internal Speakers

The displays provide 2x internal speakers for audio reproduction.

Landscape or Portrait Installation



DRAWING



Unit: mm



EYE-LCD-4600-LE-700

46" EDGE-LED LCD MONITOR (117 cm) WITH 700 cd/m² BRIGHTNESS

TECHNICAL SPECIFICATION

LCD PANEL

Model Name:	EYE-LCD-4600-LE-700
Panel Type:	TFT Active Matrix Type LCD non-glare/haze
Installation:	Landscape/Portrait
Screen Size:	46" (ca. 116 cm)
Active Display Area:	1018.08 × 572.67 mm (W × H)
Display Resolution:	1920 × 1080 Pixel (full HD)
Colours:	16.7M Colours (8bit)
Brightness:	700 cd/m ² (typ.)
Contrast:	4000:1 (typ.)
Viewing Angle:	178° H/V
Response Time:	6.5 ms (typ.)
Backlight:	Edge-LED
24/7 Operation [®] :	Yes (recommended operation 20/7)

CONNECTORS & CONTROL

Inputs:	1x DisplayPort / 2x HDMI 1.3c / VGA / DVI / 1x Component / 1x S-Video / 1x AV / 1x PC Audio In / 1x IR Extender
Communication Port:	RS232C / LAN
OSD Control:	RS232C, Control Buttons, IR Remote Control
OSD Languages	German, English, Chinese

MECHANICAL

Dimensions:	1057.1 × 611.9 × 77 mm (W × H × D)
Bezel Width:	18 mm
Weight:	22.8 kgs (net) / 27.8 kgs (gross)
VESA Mount:	400 × 400 / 400 × 200

ELECTRICAL

Power Consumption:	ca. 135 Watt (max.) / Stand-by: ≤0,5 Watt
Input Voltage:	110V – 240V AC, 50/60 Hz
Power Off:	≤ 0.5 W (typ.)
Internal Speakers:	4Ω/10 W × 2

OPERATING CONDITIONS

Operating Temperature:	5 - 40 °C
Humidity:	20 - 90 % RH (no condensation)

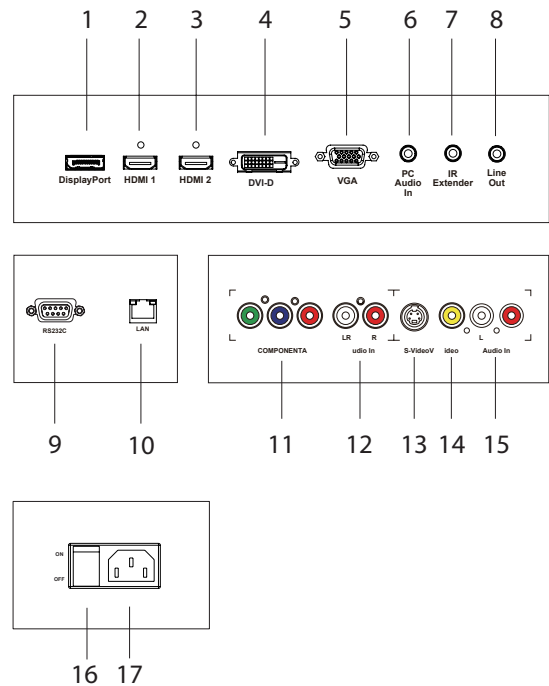
OPTIONS

Touch Surface:	Infrared touch system with up to 32 simultaneous touch point
Installation:	Metal stands, carts, wall-/ceiling-mounts
Housing Colour:	Customised frame colours and logo branding

ORDER INFORMATION

Article Number:	19539
-----------------	-------

CONNECTORS



- | | |
|----------------|-----------------------------|
| 1. DisplayPort | 10. LAN |
| 2. HDMI 1 | 11. Component |
| 3. HDMI 2 | 12. Audio In(Component) |
| 4. DVI-D | 13. S-Video |
| 5. VGA | 14. Video |
| 6. PC Audio In | 15. Audio In(S-Video/Video) |
| 7. IR Extender | 16. Power Switch |
| 8. Line Out | 17. AC In |
| 9. RS232C | |

[®]Electronic components designed for 24/7 operation. Prolonged display of static image contents may affect the display quality of the device. These effects do not affect the functionality of the device and are therefore not considered as defects in terms of our warranty conditions.



eyevis GmbH

Hundsschlestrasse 23 • 72766 Reutlingen • Germany
 Phone: + 49 (0) 7121 43303 - 0 • Fax: + 49 (0) 7121 43303 - 22
 www.eyevis.de • info@eyevis.de

As at: 16.03.2017 / V1.6 • Subject to change!

All trademarks and registered trademarks are the property of their respective owners. Copyright © 2017 eyevis GmbH. All rights reserved.