

# eSLIM Series

HIGH DEFINITION LED MODULES WITH 2.6mm or 3.9mm PIXEL PITCH FOR INDOOR VIDEO WALLS WITH FRONT- AND REAR-SIDE SERVICE ACCESS

## ) PRODUCT DESCRIPTION

eyevis' new eSLIM Series offers a slim, high-quality and cost-efficient solution for the installation of high resolution indoor LED video walls. The setup of large scale video walls with the modules from the new eSLIM series is fast and simple. In addition to their high resolution, the major benefit of new eSLIM series is its service-friendly design that gives access to the components from the rear and front side of the panels.

The eSLIM modules are a first choice for applications that require a pin-sharp, seamless and high-quality presentation of videos and images, for example in representative retail areas, conference centres, corporate foyers, or passenger terminals.

Best brightness and contrast, a wide colour space and a uniform appearance thanks to comprehensive calibration measurements further enhance the performance of the new eSLIM modules.

### The Advantages at a Glance:

- Narrow pixel pitches of 2.6mm or 3.9mm for high resolution indoor video wall applications
- Seamless LED modules with 1:2 and 1:1 aspect ratio for flexible installation possibilities
- Slim and light but also very stable and robust product design
- Front-side access for maintenance through magnetic push-to-open mechanism
- Exchange of defect LED boards within a few simple steps
- Low power consumption and noise-free operation
- Comprehensive calibration for uniform appearance

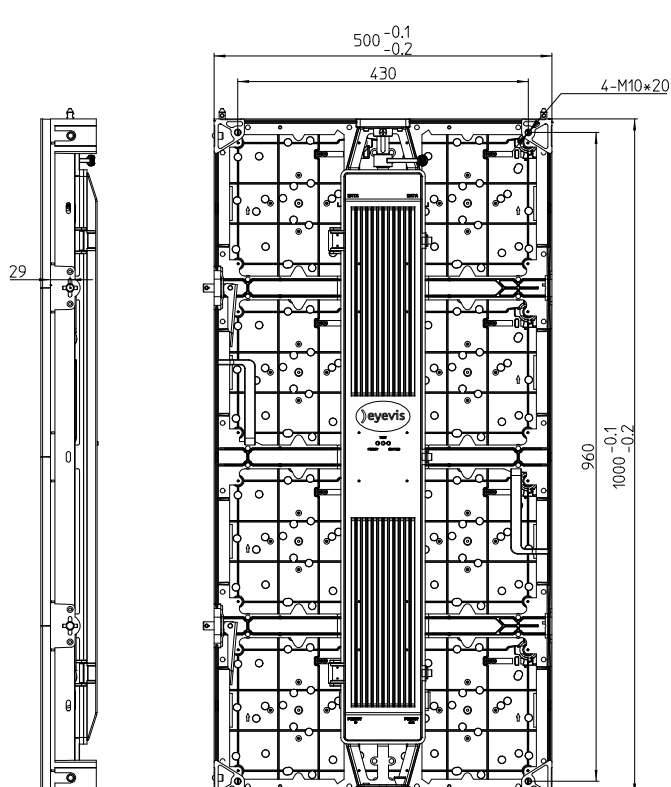


eSLIM-2.6/3.9-1000 / 1:2

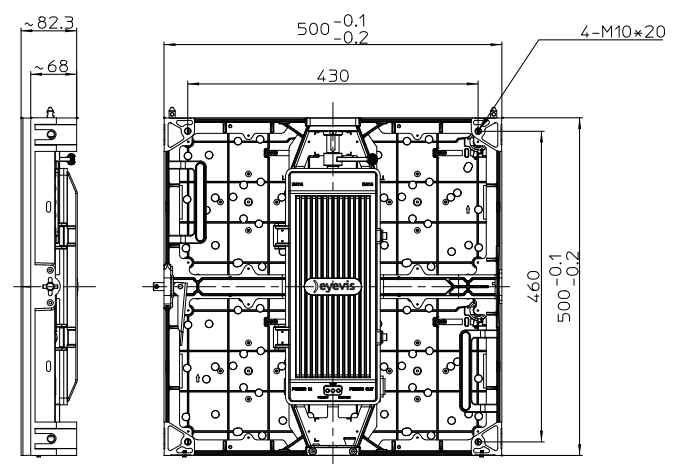


eSLIM-2.6/3.9-1000 / 1:2

## ) DRAWING eSLIM-500



## ) DRAWING eSLIM-500 / 1:1





## eSLIM Series

HIGH DEFINITION LED MODULES WITH 2.6mm OR 3.9mm PIXEL PITCH FOR INDOOR VIDEO WALLS  
WITH FRONT- AND REAR-SIDE SERVICE ACCESS

### ) TECHNICAL SPECIFICATION

LED PANEL	eSLIM-2.6-1000	eSLIM-2.6-500	eSLIM-3.9-1000	eSLIM-3.9-500
Pixel Pitch:	2.6 mm	2.6 mm	3.9 mm	3.9 mm
Pixel Configuration:	3-in-1 SMD2121	3-in-1 SMD2121	1R1G1B	1R1G1B
Brightness:	calibrated: 900 cd/m <sup>2</sup> (uncalibrated: 1000 cd/m <sup>2</sup> )	calibrated: 900 cd/m <sup>2</sup> (uncalibrated: 1000 cd/m <sup>2</sup> )	1000 cd/m <sup>2</sup>	1000 cd/m <sup>2</sup>
Contrast:	3000:1	3000:1	5000:1	5000:1
Colour Temperature:	adjustable (2000K~9300K)	adjustable (2000K~9300K)	adjustable (2000K~9300K)	adjustable (2000K~9300K)
Viewing Angles:	H: 140°   V:120°	H: 140°   V:120°	H: 140°   V:120°	H: 140°   V:120°
Pixel Density:	147,475 Pixel/m <sup>2</sup>	147,475 Pixel/m <sup>2</sup>	65,536 Pixel/m <sup>2</sup>	65,536 Pixel/m <sup>2</sup>
Aspect Ratio:	1:2	1:1	1:2	1:1
Pixel per Module:	192x384	192x192	128x256	128x128
Processing:	16 bit	16 bit	16 bit	16 bit
Grey Levels:	16 bit	16 bit	16 bit	16 bit
Brightness Control:	manually / automatically	manually / automatically	manually / automatically	manually / automatically
Video Frame Rate:	50/60 Hz	50/60 Hz	50/60 Hz	50/60 Hz
Refresh Rate:	1920 Hz	1920 Hz	≥ 1000 Hz	≥ 1000 Hz
Input Signal:	DVI / HDMI over CAT	DVI / HDMI over CAT	DVI / HDMI over CAT	DVI / HDMI over CAT
Data Connection:	CAT	CAT	CAT	CAT

### MECHANICAL

Board Size:	250mm × 250mm	250mm × 250mm	250mm × 250mm	250mm × 250mm
Module Size (W×H×D):	500 × 1000 × 82.3mm	500 × 500 × 82.3mm	500 × 1000 × 82.3mm	500 × 500 × 82.3mm
Area/Module:	0,5 m <sup>2</sup>	0,25 m <sup>2</sup>	0,5 m <sup>2</sup>	0,25 m <sup>2</sup>
Weight/Module:	13 kg	6,5 kg	11.5 kg	6.5 kg
Service Access:	front and rear side	front and rear side	front and rear side	front and rear side
Material:	die casting aluminium	die casting aluminium	die casting aluminium	die casting aluminium
Ingress Protection:	IP30	IP30	IP30	IP30
Curved Installation:	-5°~+5°	-5°~+5°	-5°~+5°	-5°~+5°

### ELECTRICAL

Input Voltage:	100-240V	100-240V	110-220V (±15%)	110-220V (±15%)
Frequency:	50-60Hz	50-60Hz	50-60Hz	50-60Hz
Power Consumption/Module:	max. 240W   typ. 80W	max. 120W   typ. 40W	max. 240W   typ. 80W	max. 120W   typ. 40W
Power Consumption/m <sup>2</sup> :	max. 480W   typ. 160W	max. 480W   typ. 160W	max. 480W   typ. 160W	max. 480W   typ. 160W

### ENVIRONMENTAL

Operation:	0°~+45°   10~80%RH	0°~+45°   10~80%RH	0°~+45°   10~90%RH	0°~+45°   10~90%RH
Storage:	-10°~+55°   10~80%RH	-10°~+55°   10~80%RH	-10°~+55°   10~80%RH	-10°~+55°   10~80%RH
Life-Time:	≥100,000 hours	≥100,000 hours	≥100,000 hours	≥100,000 hours
Recommended Viewing Distance:	≥2.6 m	≥2.6 m	≥3.9 m	≥3.9 m

### COMPLIANCE

Certificates:	CE, RoHS	CE, RoHS	CE, RoHS	CE, RoHS
---------------	----------	----------	----------	----------



#### eyevis GmbH

Hundsschleistrasse 23 • 72766 Reutlingen • Germany  
Phone: + 49 (0) 7121 43303 - 0 • Fax: + 49 (0) 7121 43303 - 22  
www.eyevis.de • info@eyevis.de

As at: 01.03.2017 / V1.0 • Subject to change!

All trademarks and registered trademarks are the property of their respective owners.  
Copyright © 2017 eyevis GmbH. All rights reserved.