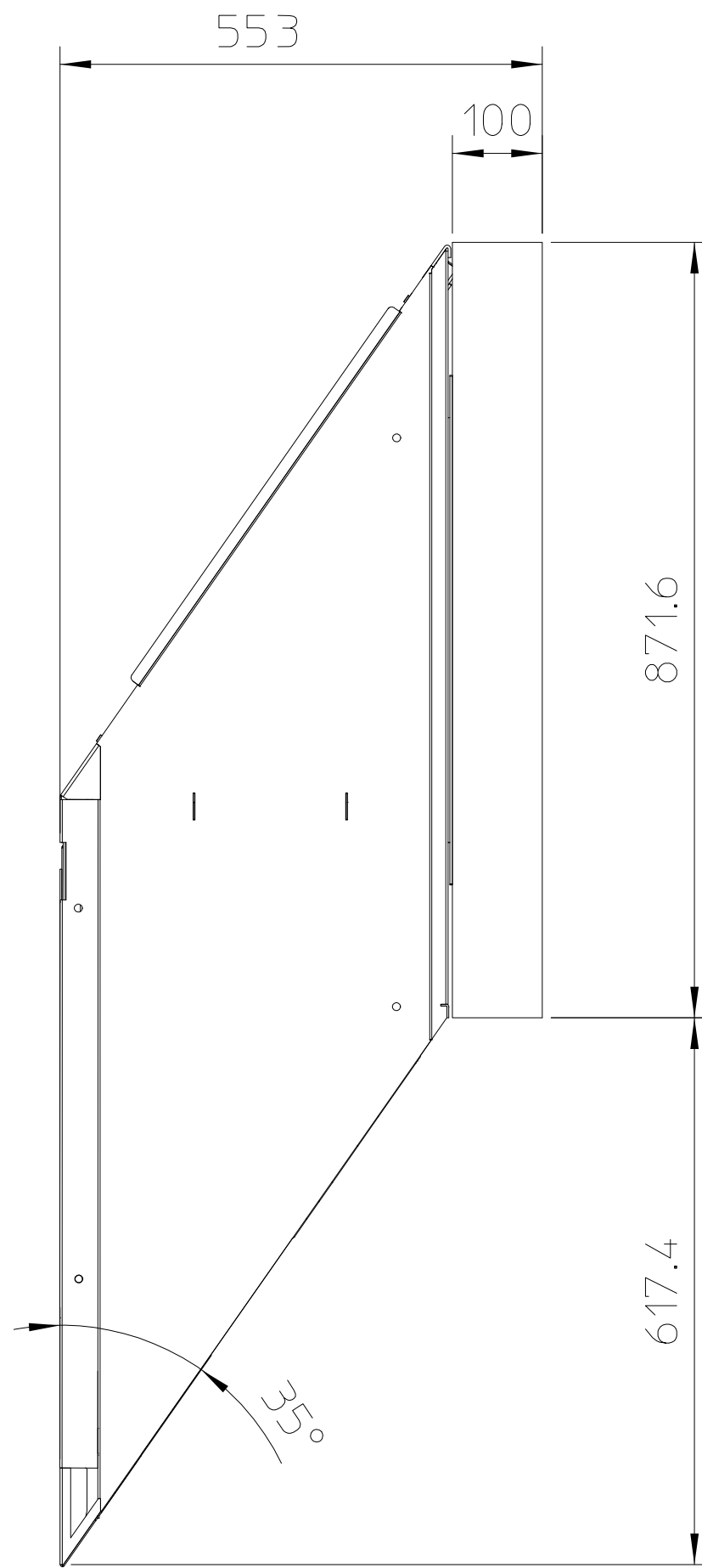
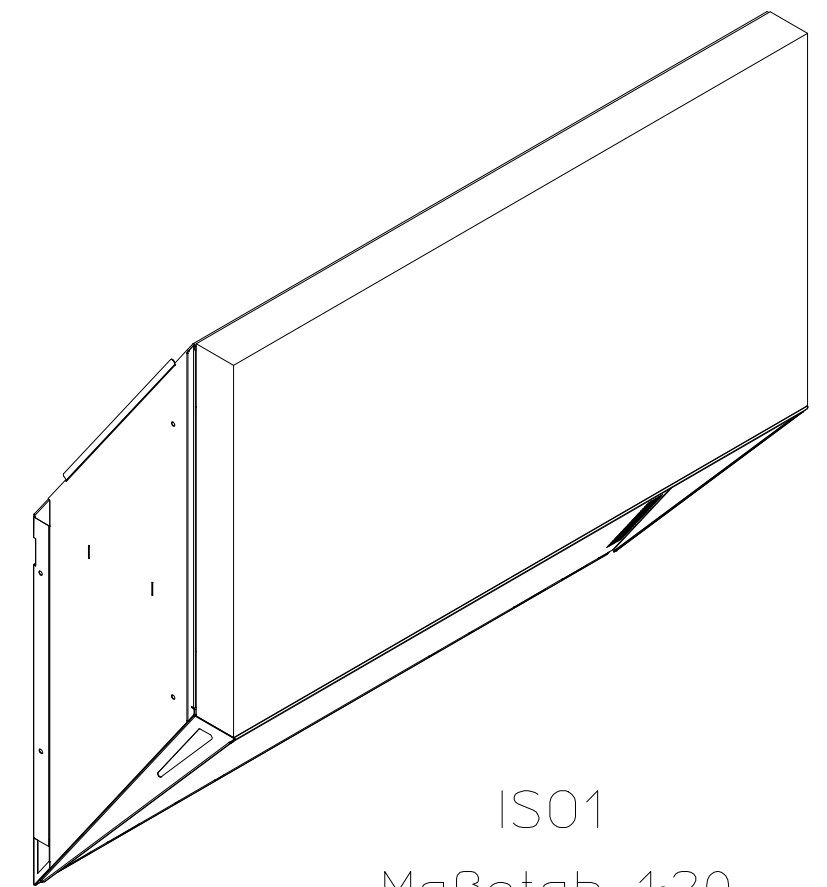


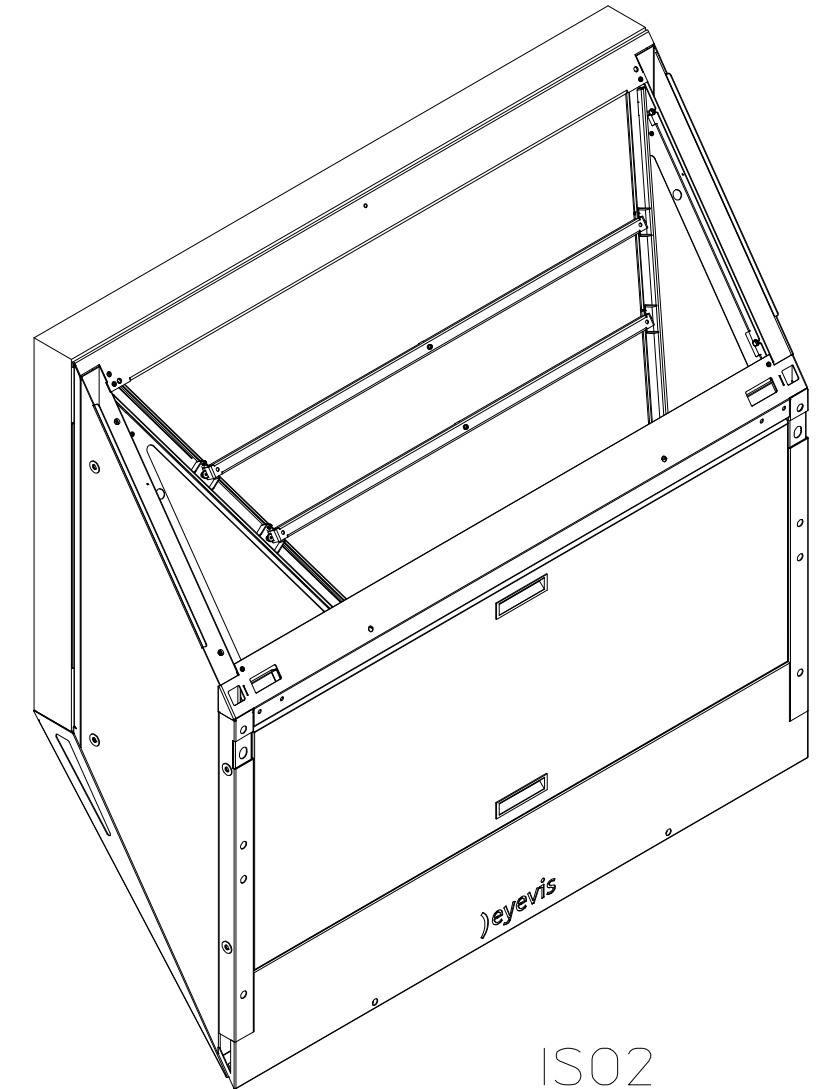
front view1



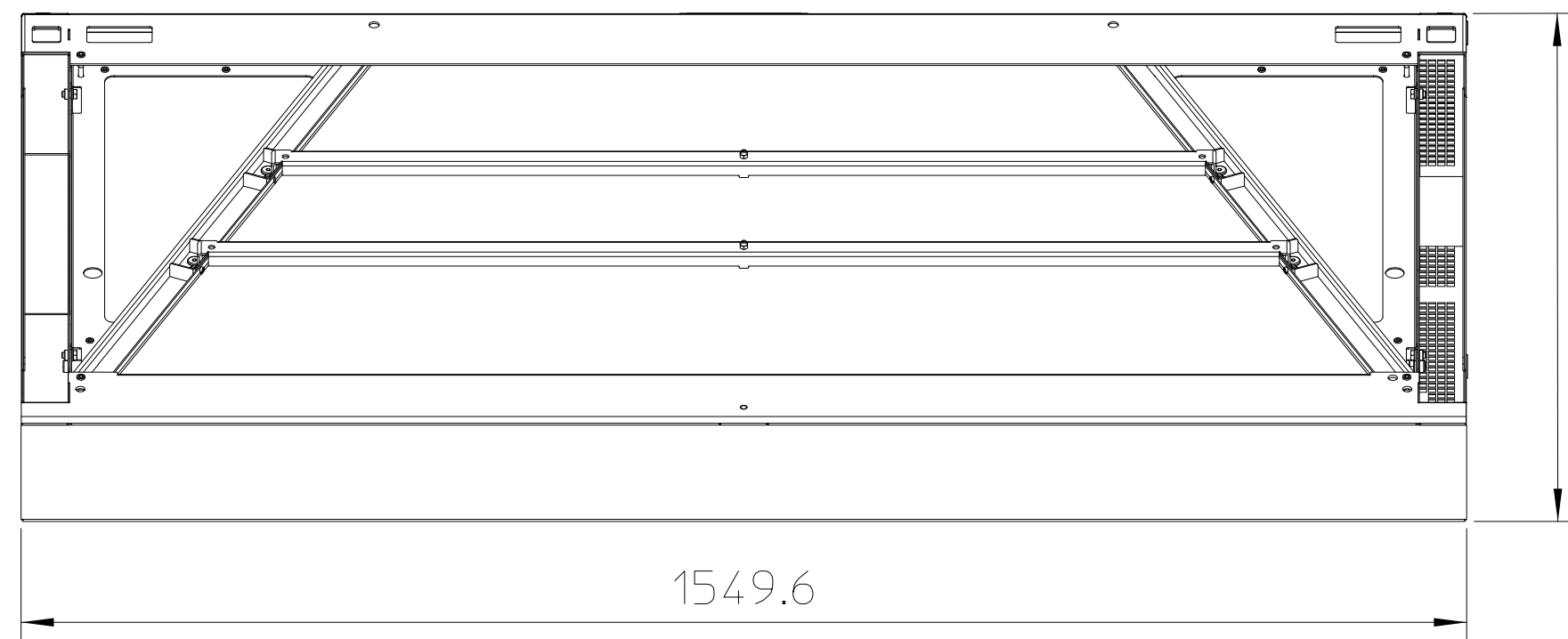
sideview left1



IS01
Maßstab 1:20



IS02
Maßstab 1:20



plan view1

SURFACE		TOLERANCE DIN ISO 2768-mK		COPYRIGHT ALL RIGHTS RESERVED (ISO 16016)		PROG.: MATERIAL		SCALE 1:10	
				DATE		NAME		DESCRIPTION	
				DRAWN 07.07.2015		F.Weise		EC-SLIM-CUbe-70-Zoll-kpl	
				APPR. 07.07.2015		F.Weise			
				RLS. 07.07.2015		F.Weise			
								DRAWING-NUMBER	
								22316	
								SHEET	
								1	
								OF 1	
INDEX		DESCRIPTION		DATE		NAME		I.EXCH.F.	
								I.EXCH.TH.	

eyevis GmbH
Hundschleestraße 23
72766 Reutlingen
Germany
www.eyevis.de