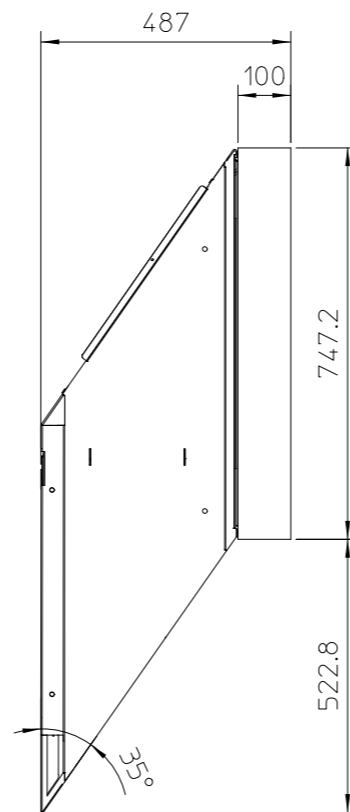
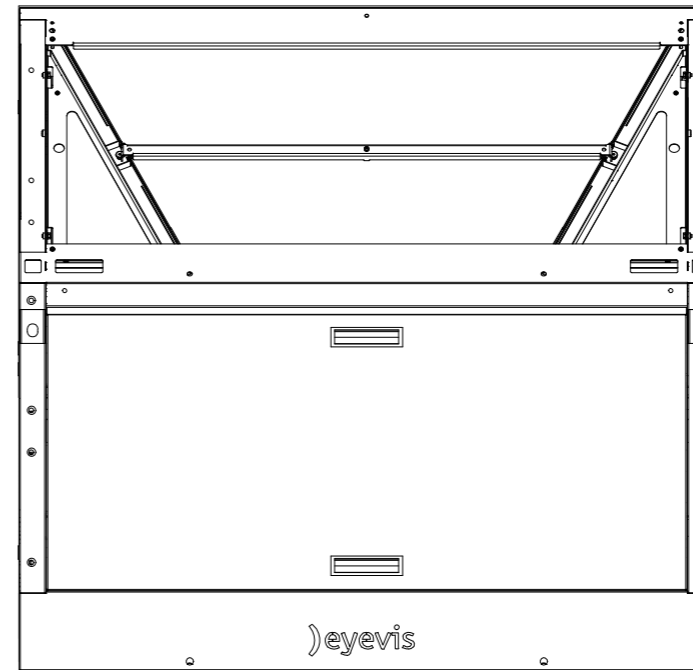


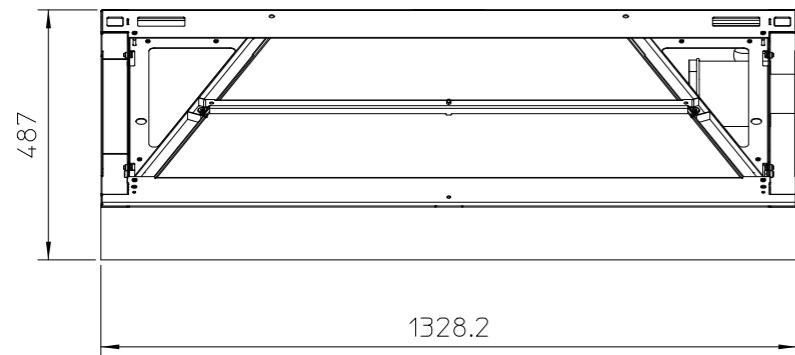
front view1



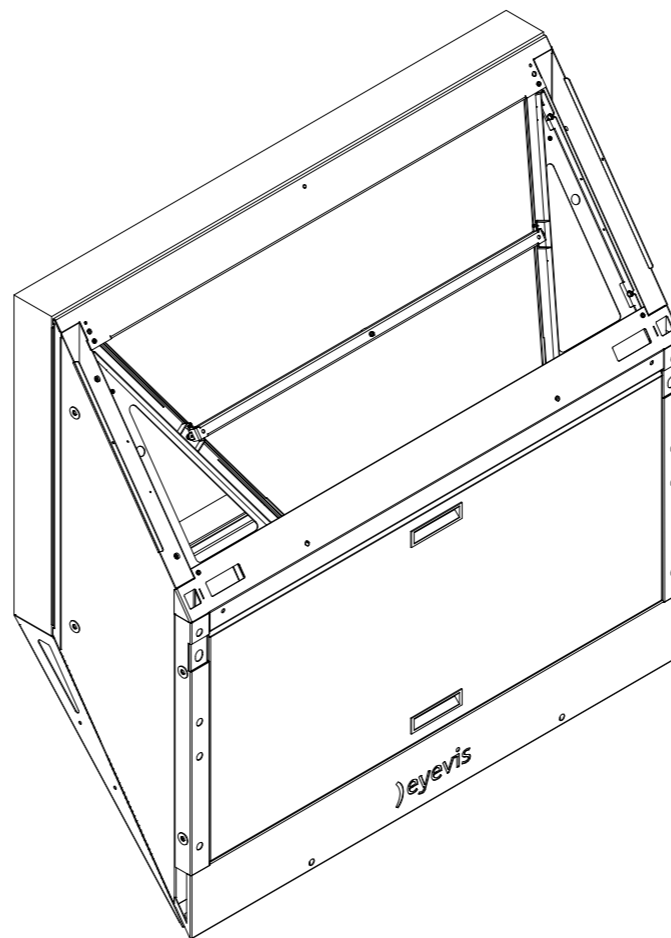
sideview left1



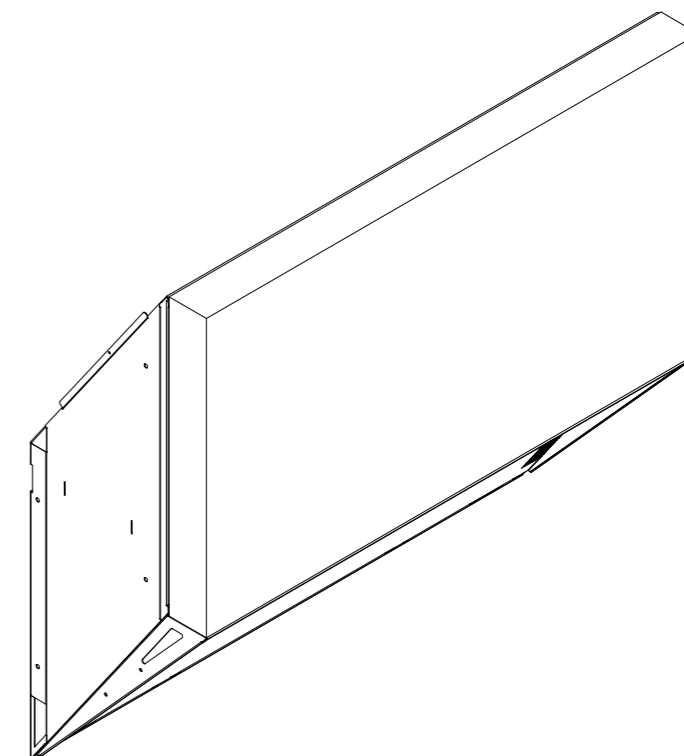
rear view1



plan view1



ISO2



ISO1

SURFACE		TOLERANCE DIN ISO 2768-mK		COPYRIGHT ALL RIGHTS RESERVED (ISO 16016)		PROG.: MATERIAL		SCALE 1:10	
				DATE	NAME	DESCRIPTION			
				DRAWN 07.07.2015	F.Weise	EC-SLIM-Cube-60-Zoll-kpl			
				APPR. 07.07.2015	F.Weise				
				RLS. 07.07.2015	F.Weise				
				eyevis GmbH Hundschneestraße 23 72766 Reutlingen Germany www.eyevis.de		DRAWING-NUMBER 22290		SHEET 1 OF 1	
INDEX	DESCRIPTION	DATE	NAME			IEXCHF.		IEXCH.TH.	